



320 226 5397

WWW.EQCONNECTIONS.COM

2505 164TH AVE NE, NEW
LONDON MN, 56273



INDEX

GRAPPLES

Brush Bucket
HD Brush Bucket
T/S Grapple
Utility Grapple
Firewood Grapple
Stump Grapple
Bale Grapple
Dirt With Grapple
Pallet Fork Grapple
Brush Low Weight
Rake Grapple
Manure Grapple
Weld On Grapple

MATERIAL BUCKETS

Dirt Bucket
Tooth Bucket
Grain Bucket
Utility Bucket
Side Flow Bucket
Concrete Bucket

TINED BUCKETS

Rock Bucket
Manure Bucket

SNOW MANAGEMENT

Snow Bucket
Snow Pusher
Snow Blade

HAY HANDLING

Bale Spears
Bale Accumulators
84" High Capacity Bucket Grapple

LANDSCAPING

Land Plane
Rock / Stump Digger
Tree Spade

PALLET FORKS

Standard
HD
Clamp On

MOUNTING PLATES / ADAPTERS

Universal Plates
JD
EURO/Global
3 Point Adapter
Universal Adapter
Toro / Dingo
RC30-PT30

CUTTING EDGES / TOOTH BARS

Cutting Edge
Tooth Bar

BRUSH MOWERS

Open Front Mower
Tree Cutter

LOG / FIREWOOD

Log Splitter
Firewood Bucket
Tree Pullers

MINI ATTACHMENTS

Rock
Pallet Fork
Stump
Snow

ACCESSORIES

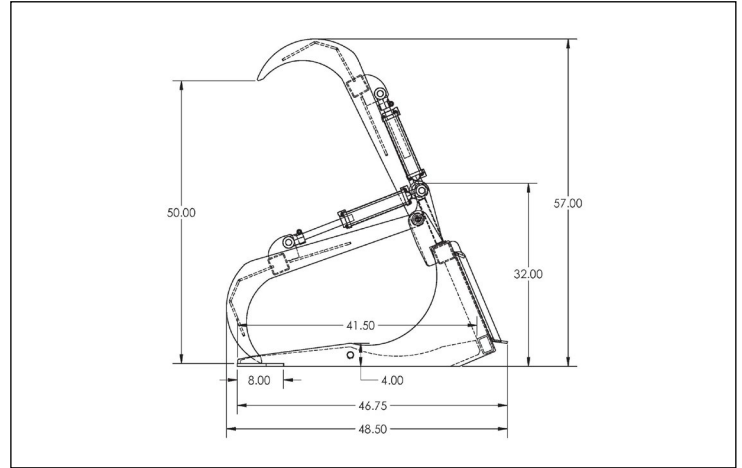
Ballast Box
Wire Unroller
Trailer Mover
Hitch Receiver
Tree Puller Attachment
Calf Corral
3 Point Adapter

REPLACEMENT PARTS

Fork Tines
Grapple Cylinders
Manure Tines
Conveyor Belt
Male / Female Couplers
Bale Spear



BRUSH BUCKET



SPECIFICATIONS

| Part# | 9010030 | 9010031 | 9010032 | 9010033 |
|--------------------------|-----------------------------------|-----------------------------------|-----------------------------------|-----------------------------------|
| Description | B62" BRUSH BUCKET W/GRAPPLE | B68" BRUSH BUCKET W/GRAPPLE | B75" BRUSH BUCKET W/GRAPPLE | B82" BRUSH BUCKET W/GRAPPLE |
| Overall Height | 32" | 32" | 32" | 32" |
| Width | 62" | 68" | 75" | 82" |
| Inside Depth | 41.5" | 41.5" | 41.5" | 41.5" |
| Open Tine to Tine Height | 50" | 50" | 50" | 50" |
| Weight | 837 | 833 | 929 | 965 |
| Tine Spacing | 3" | 3" | 3" | 3" |
| Tines & Top Cross Bar | A 50 Steel | A 50 Steel | A 50 Steel | A 50 Steel |



GRANITE GRAPPLE



This Granite Grapple makes clearing brush, moving logs and pulling up tree roots a quick and easy process. The unique design includes heavily reinforced teeth that do not require a cross piece support, allowing dirt to pass through rather than build up in the teeth.

SPECIFICATIONS

| Part# | G1054 | G1060 | G1072 | G1084 |
|-------------|-------------------------------|-------------------------------|-------------------------------|-------------------------------|
| Description | G54" RK GRANITE GRAPPLE | G60" RK GRANITE GRAPPLE | G72" RK GRANITE GRAPPLE | G84" RK GRANITE GRAPPLE |
| Height | 35.75" | 35.75" | 35.75" | 35.75" |
| Width | 25" | 25.2" | 25.5" | 25.5" |
| Length | 55" | 60.5" | 72.5" | 83.5" |
| Max Opening | 40.25" | 40.25" | 40.25" | 40.25" |
| Weight | 235 lbs | 390 lbs | 540 lbs | 625 lbs |

HD BRUSH BUCKET



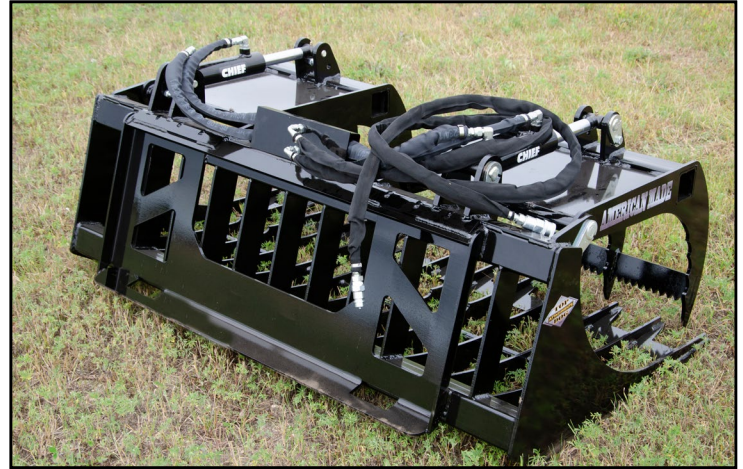
SPECIFICATIONS

| Part# | | 9010031-HD | 9010032-HD | 9010033-HD |
|--------------------------|--|-----------------------------------|-----------------------------------|-----------------------------------|
| Description | | B68" BRUSH BUCKET W/GRAPPLE | B75" BRUSH BUCKET W/GRAPPLE | B82" BRUSH BUCKET W/GRAPPLE |
| Overall Height | | 32" | 32" | 32" |
| Width | | 68" | 75" | 82" |
| Inside Depth | | 41.5" | 41.5" | 41.5" |
| Open Tine to Tine Height | | 46" | 46" | 46" |
| Weight | | 1003 | 1049 | 1085 |
| Tine Spacing | | 3" | 3" | 3" |
| Tines & Top Cross Bar | | A 50 Steel | A 50 Steel | A 50 Steel |

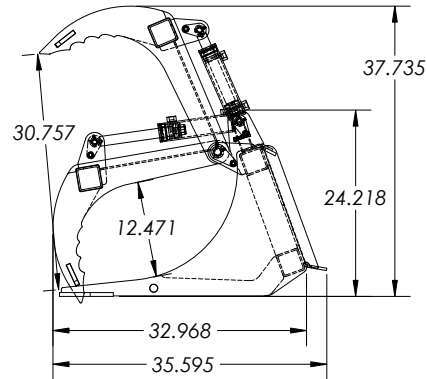
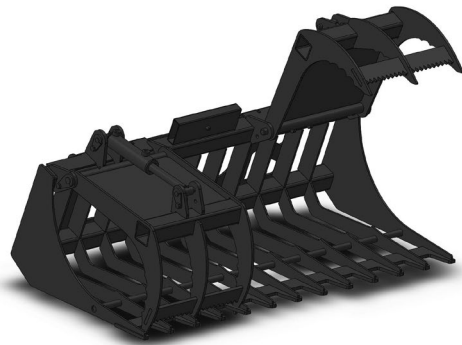
800.445.8244 **TOPDOGATTACHMENTS.COM**
CJ, INC. 909 CORMORANT AVE DETROIT LAKES, MN. 56501



T/S BRUSH GRAPPLE



This Brush Grapple is designed strong enough for a Skid Steer yet light enough for a Tractor



SPECIFICATIONS

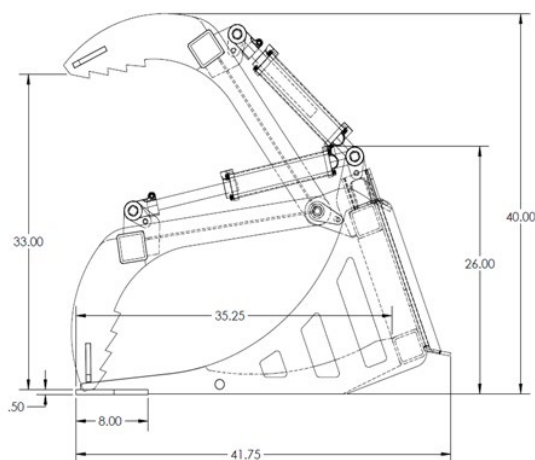
| Part# | 9010040 | 9010041 | | |
|--------------------------|-----------------|-----------------|--|--|
| Description | 60" T/S GRAPPLE | 72" T/S GRAPPLE | | |
| Overall Height | 24.25" | 24.25" | | |
| Width | 60" | 72" | | |
| Inside Depth | 30" | 30" | | |
| Open Tine to Tine Height | 30.75" | 30.75" | | |
| Weight | 499 | 548 | | |
| Tine Spacing | 4.6" | 4.4" | | |
| Tines & Top Cross Bar | A 50 Steel | A 50 Steel | | |

800.445.8244 TOPDOGATTACHMENTS.COM
 CJ, INC. 909 CORMORANT AVE DETROIT LAKES, MN. 56501

UTILITY GRAPPLE



Utility Grapple 72" Model #9023001



Recommended for loaders up to 2000 lbs total lift capacity

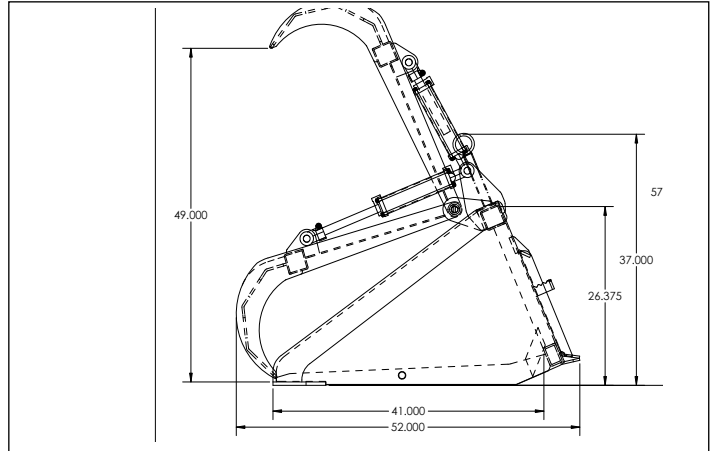
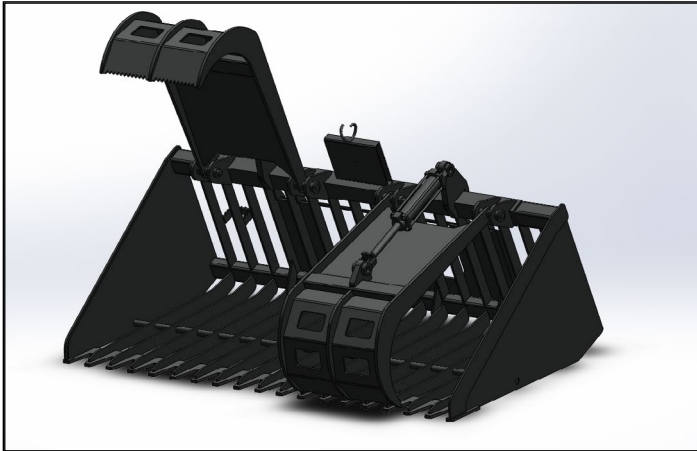
SPECIFICATIONS

| | |
|-------------------------|----------------------|
| Width | 72" |
| Overall Height - Closed | 26" |
| Overall Height-Open | 40" |
| Overall Depth | 41.75" |
| Grapple Opening | 35.25" |
| Depth of Bucket | 33" |
| Cutting Edge | 1/2" x 8" - Grade 50 |
| Top Tube | 3" x 3" x 3/16" |
| Bottom Tube | 3" x 3" x 3/16" |
| Grapple Arms | 3/8" Grade 50 |
| Cylinders | 2" x 8" - Clevis |
| Hydraulic Couplers | Optional |
| Hydraulic Hoses | 3/8" |
| Weight | 72" = 783 lbs |

800.445.8244 TOPDOGATTACHMENTS.COM
CJ, INC. 909 CORMORANT AVE DETROIT LAKES, MN. 56501



FIREWOOD GRAPPLE



Weld On Grapple Available- 9010000

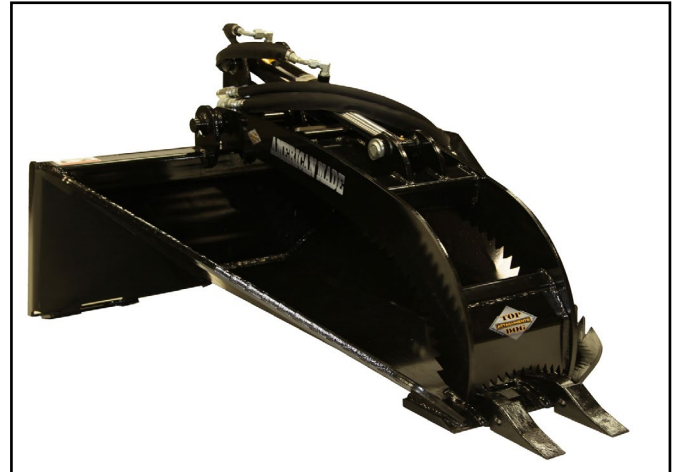
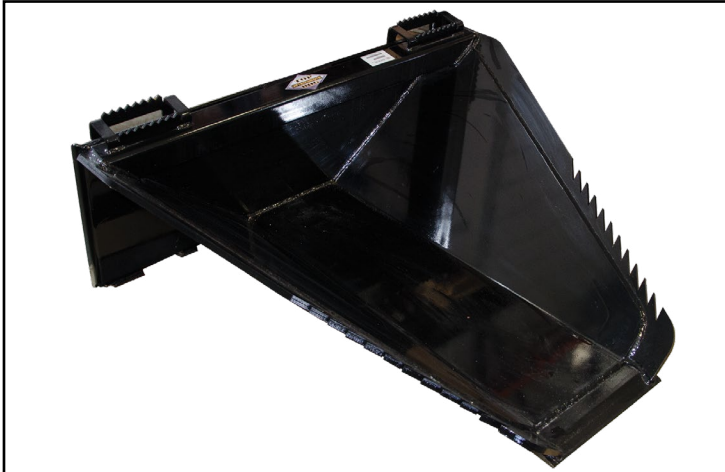
Our Firewood buckets are designed to scoop large loads of firewood. The wider spaced tines allow for loose bark, dirt, rocks, or any other materials to fall through. The firewood grapple now allows for you to grip larger loads, and pick up those loose, tough to grab logs. Hauling larger loads will be much easier and secure with the Firewood Grapple.

SPECIFICATIONS

| Part# | 9010005G | 9010006G | 9010002G | 9010007G | 9010003G |
|--------------------------|----------------------|----------------------|----------------------|----------------------|----------------------|
| Description | 62" FIREWOOD GRAPPLE | 68" FIREWOOD GRAPPLE | 75" FIREWOOD GRAPPLE | 82" FIREWOOD GRAPPLE | 90" FIREWOOD GRAPPLE |
| Overall Height | 37" | 37" | 37" | 37" | 37" |
| Width | 62.375" | 68.375" | 75.375" | 82.375" | 90.375" |
| Inside Depth | 41" | 41" | 41" | 41" | 41" |
| Open Tine to Tine Height | 49" | 49" | 49" | 49" | 49" |
| Weight | 745 lbs | 816 lbs | 915 lbs | 984 lbs | 1025 lbs |
| Tine Spacing | 3-7/8" | 3-7/8" | 3-7/8" | 3-7/8" | 3-7/8" |
| Tines | A 50 Steel | A 50 Steel | A 50 Steel | A 50 Steel | A 50 Steel |



STUMP BUCKET



Shown with optional teeth and grapple

The Stump Grapple by Top Dog Attachments is a must have tool. Use this attachment for multiple applications - works great for removing stumps, trees, and rocks. You can also use this attachment for digging trenches, and loading logs. Our Stump Grapple comes complete with a 2 1/2" cylinder and hoses.

SPECIFICATIONS

| | | |
|----------------|--------------|---------------|
| Part# | 9233040 | 9233032 |
| Description | Stump Bucket | Stump Grapple |
| Overall Height | 18" | 28.13" |
| Overall Width | 45" | 45.30" |
| Overall Depth | 44" | 42" |
| Weight | 353 lbs | 498 lbs |

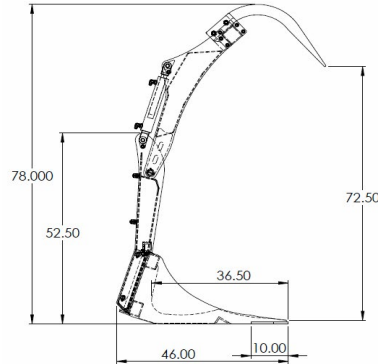
800.445.8244 TOPDOGATTACHMENTS.COM
CJ, INC. 909 CORMORANT AVE DETROIT LAKES, MN. 56501



BALE GRAPPLE



Tined Bucket



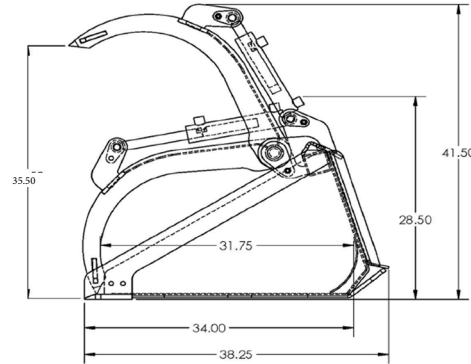
Bale Grapples
72" Model #9033225
79" Model #9033226
82" Model #9033227

Grapple Only
9033225G

| SPECIFICATIONS | |
|-------------------------|--|
| Width | 72", 79", 82" |
| Overall Height - Closed | 55" |
| Overall Height-Open | 78" |
| Overall Depth | 60" |
| Grapple Opening | 73" |
| Depth of Bucket | 40" |
| Tines | 3/8" - Grade 50 |
| Cutting Edge | 1/2" x 10" - Grade 50 |
| Top Tube | 3" x 4" x 1/4" |
| Bottom Tube | 3" x 4" x 1/4" |
| Grapple Tines | 5/8" T-1 - Laser Cut |
| Cylinders | 2 1/2" x 12" - Welded Clevis |
| Hydraulic Couplers | Flat Face |
| Hydraulic Hoses | 3/8" |
| PSI Max | 3,000 PSI |
| Pivot Points | Grease Zerks |
| Weight | 72" = 1204 lbs, 79" = 1289 lbs, 82" = 1342 lbs |



HEAVY DUTY LOW PROFILE BUCKET WITH GRAPPLE



SPECIFICATIONS

| | |
|-------------------------|--|
| Part# | 60"#9033270 68"#9033271 72"#9033267 78"#9033272 80"#9033273 84"#9033274 |
| Overall Width | 60", 68", 72", 78", 80" & 84" |
| Overall Height - Closed | 28½" |
| Overall Depth | 38¼" |
| Grapple Opening | 35½" |
| Depth of Bucket | 34" |
| Main Body Thickness | 3/16" |
| Side Cutting Edge | 3/8" Grade 50 |
| Wear Bars | 1/2" Grade 50 - 10" Wide |
| Mounting Plate | 5/16" HR Steel |
| Cutting Edge | 3/4" x 6" |
| Grapple Arms | 1/2" Grade 50 - Laser Cut |
| Cylinders | 2" x 8" Welded |
| Hydraulic Couplers | Flat Face |
| Hydraulic Hoses | 3/8" |
| PSI Max | 3,000 PSI |
| Pivot Points | Grease Zerks |
| Struck Capacity cu. ft. | (60" 13.2) (68" 15) (72" 15.9) (78" 17.5) (80" 17.75) (84" 18.5) |
| Heaped Capacity cu. ft. | (60" 15.8) (68" 18) (72" 19) (78" 20.5) (80" 20.12) (84" 22.25) |
| Weights (Lbs.) | (60" 827) (68" 867) (72" 872) (78" 917) (80" 952) (84" 972) |
| Overall Height - Open | 41½" |

800.445.8244 TOPDOGATTACHMENTS.COM
CJ,INC. 909 CORMORANT AVE DETROIT LAKES, MN. 56501



PALLET FORK GRAPPLE



Combine your skid steer's pallet forks with a grapple. Clamp down on loads to help stabilize them. The pallet fork grapple is secured by bolts under the unit to your pallet forks.

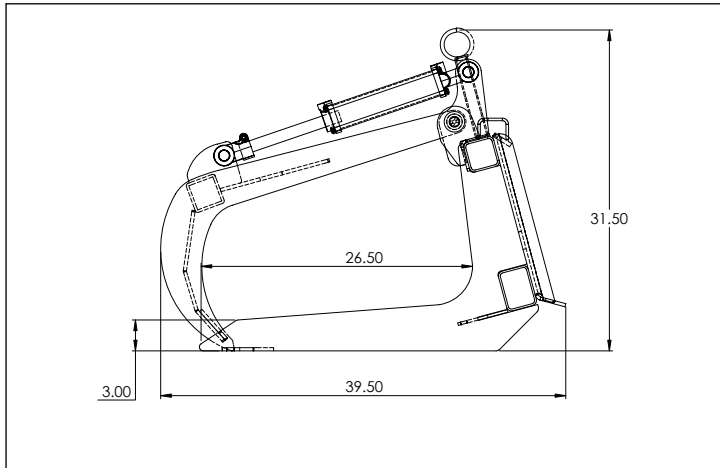
SPECIFICATIONS

| | |
|-------------------|---------------------|
| Part # | 9000180 |
| Description | Pallet Fork Grapple |
| Overall Height | 15" |
| Width | 45" |
| Length | 40" |
| Tine Spacing | 17 1/2" |
| Open Tine Height | 40" |
| Tine Construction | 1/2" A50 Steel |
| Weight | 279 lbs. |

800.445.8244 TOPDOGATTACHMENTS.COM
CJ, INC. 909 CORMORANT AVE DETROIT LAKES, MN. 56501



BRUSH LOW WEIGHT



This brush bucket weighs less than our heavy duty brush bucket, making it a great choice for smaller skid steer or tractors. Open side wall design for carrying long items up to a 1,500 lb lift capacity.

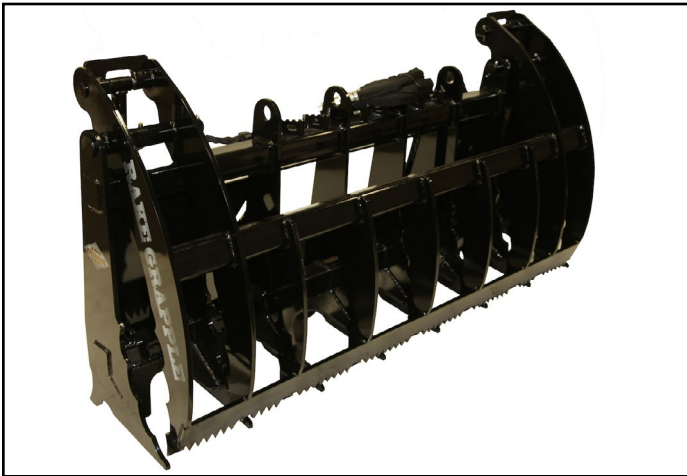
SPECIFICATIONS

| SPECIFICATIONS | |
|-----------------|------------------------------|
| Model# | 60"-9000193 72"-9000194 |
| Width | 60, 72" |
| Overall Height | closed: 31-1/2" |
| Overall Height | Open: 50" |
| Overall Depth | 39-1/2" |
| Grapple opening | 42-1/2" |
| Depth of bucket | 26-1/2" |
| Tines & Braces | 5/16" |
| Top Tube | 3 x 3 x .187 |
| Bottom tube | 3 x 4 x .187 |
| Grapple arms | 5/16" gusseted |
| Cylinders | 2" bore |
| Weight | 60" 400 lbs 72" 450 lbs |

800.445.8244 TOPDOGATTACHMENTS.COM
CJ, INC. 909 CORMORANT AVE DETROIT LAKES, MN. 56501



RAKE GRAPPLE



Looking for a versatile tool that's strong and aggressive? Look no longer, Top Dog's Rake Grapple is designed just for that. The design of the Rake Grapple allows you to get the job done without breaking your back. Use Top Dog's Rake Grapple for picking up brush, demolition, moving logs or large objects, construction, storm debris, recycling, landscaping, and industrial applications.

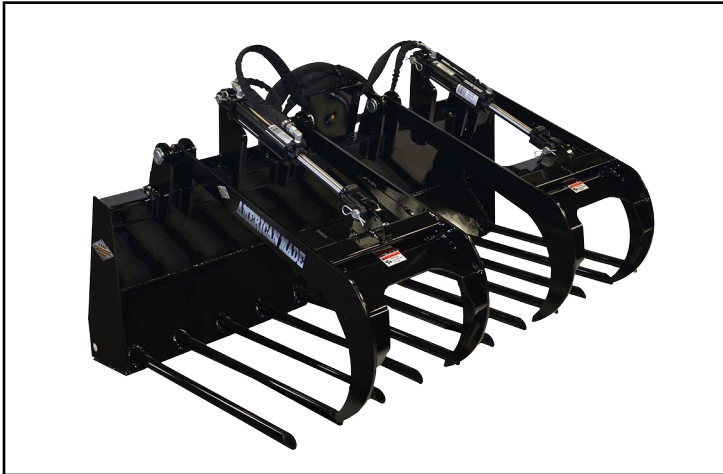
SPECIFICATIONS

| | | |
|--------------------------|----------|--|
| Part # | 9002001 | |
| Description | 72" | |
| Overall Height | 35.5 | |
| Width | 70.5 | |
| Inside Depth | 19.75 | |
| Tine Spacing | 9.5 | |
| Tines & Top Cross Bar | Grade 50 | |
| Open Tine to Tine Height | 4.5" | |
| Weight | 830 lbs | |

800.445.8244 TOPDOGATTACHMENTS.COM
CJ, INC. 909 CORMORANT AVE DETROIT LAKES, MN. 56501



MANURE FORK GRAPPLE



Use this attachment for manure, hay and straw clean-up. Plus this manure fork grapple can also be used for light brush clearing. Large round tine design makes for easy after use wash-down. Three manure fork sizes to pick from ranging from 66" to 78".

SPECIFICATIONS

| Part# | 9010052 | 9010053 | 9010054 |
|-----------------------|----------------------|----------------------|----------------------|
| Description | 66" MANURE W/GRAPPLE | 72" MANURE W/GRAPPLE | 78" MANURE W/GRAPPLE |
| Overall Width | 66" | 72" | 78" |
| Overall Height-Closed | 33" | 33" | 33" |
| Overall Height-Open | 54-1/2" | 54-1/2" | 54-1/2" |
| Overall Depth | 45-1/4" | 45-1/4" | 45-1/4" |
| Grapple Openings | 45-1/2" | 45-1/2" | 45-1/2" |
| Depth of Bucket | 34-1/2" | 34-1/2" | 34-1/2" |
| Tines (Replaceable) | 1-1/2" 1144 Steel | 1-1/2" 1144 Steel | 1-1/2" 1144 Steel |
| Top Tube | 3 x 3 x .187 | 3 x 3 x .187 | 3 x 3 x .187 |
| Main Body | 1/4" A36 | 1/4" A36 | 1/4" A36 |
| Grapple Arms | 1/2" gusseted | 1/2" gusseted | 1/2" gusseted |
| Cylinders | 2" bore | 2" bore | 2" bore |
| Weight | 815 LBS | 837 LBS | 869 LBS |

800.445.8244 TOPDOGATTACHMENTS.COM
CJ, INC. 909 CORMORANT AVE DETROIT LAKES, MN. 56501



WELD ON GRAPPLE



Couplers sold separate

SPECIFICATIONS

| | |
|---------------|-----------------|
| Part# | 9000190 |
| Description | Weld On Grapple |
| Overall Width | 60" |
| Overall Depth | 36" |
| Weight | 342 lbs |
| | |

Compatible with most Skid Steer Buckets

800.445.8244 TOPDOGATTACHMENTS.COM
 CJ, INC. 909 CORMORANT AVE DETROIT LAKES, MN. 56501



DIRT BUCKET



The workhorse of many a skid steer, dirt buckets are one of the most common skid loader attachments. Knowing all the use dirt buckets get, having a strong steel dirt bucket can be very important. Our dirt buckets, come with 3/8 steel skid plates for greater reinforcement. Available with optional bolt-on edge.

SPECIFICATIONS

| Part # | 9000110 | 9000111 | 9000112 | 9000113 | 9000114 | |
|-----------------------|---|---|---|---|---|--|
| Description | D60 INCH DIRT | D66 INCH DIRT | D72 INCH DIRT | D78 INCH DIRT | D84 INCH DIRT | |
| Overall Width | 60" | 66" | 72" | 78" | 84" | |
| Inside Width | 58" | 64" | 70" | 76" | 82" | |
| Inside Depth | 36" | 36" | 36" | 36" | 36" | |
| Overall Depth | 39.5" | 39.5" | 39.5" | 39.5" | 39.5" | |
| Overall Height | 22" | 22" | 22" | 22" | 22" | |
| Bucket Edge | 5/8" x 6" | 5/8" x 6" | 5/8" x 6" | 5/8" x 6" | 5/8" x 6" | |
| Optional Bolt On Edge | 5/8x8 Double Bevel Bolt on Cutting Edge | 5/8x8 Double Bevel Bolt on Cutting Edge | 5/8x8 Double Bevel Bolt on Cutting Edge | 5/8x8 Double Bevel Bolt on Cutting Edge | 5/8x8 Double Bevel Bolt on Cutting Edge | |



TOUGH TOOTH BUCKET



Skid steer loader bucket with teeth. Heavy duty low profile design. Built tough. Great for use on a construction, farm, ranch, or landscaping job site.

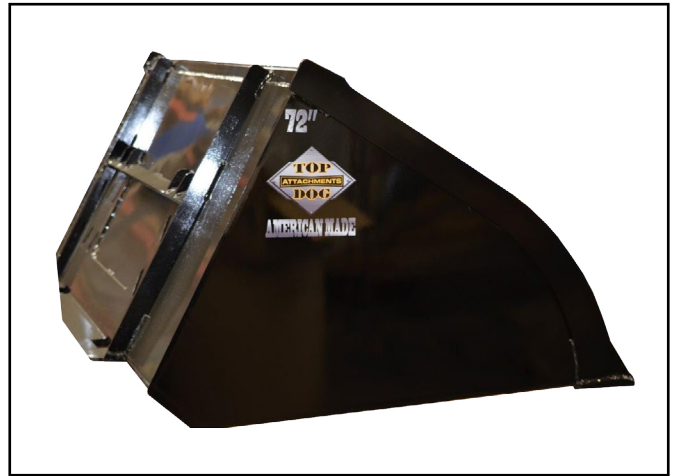
SPECIFICATIONS

| Part # | 900110T | 900111T | 900112T | 900113T | 900114T | |
|-------------------------------|-----------------------------|-----------------------------|-----------------------------|-----------------------------|-----------------------------|--|
| Description | 60" TUFF TOOTH BUCKET | 66" TUFF TOOTH BUCKET | 72" TUFF TOOTH BUCKET | 78" TUFF TOOTH BUCKET | 84" TUFF TOOTH BUCKET | |
| Overall Width | 60" | 66" | 72" | 78" | 84" | |
| Inside Width | 58" | 64" | 70" | 75" | 82" | |
| Overall Depth (Less Teeth) | 39.5" | 39.5" | 39.5" | 39.5" | 39.5" | |
| Overall Height | 22" | 22" | 22" | 22" | 22" | |
| Tooth Spacing | 9" | 9" | 9" | 9" | 9" | |
| Bucket Edge | 5/8 x 6" | 5/8 x 6" | 5/8 x 6" | 5/8 x 6" | 5/8 x 6" | |
| | A50 Steel | A50 Steel | A50 Steel | A50 Steel | A50 Steel | |

800.445.8244 TOPDOGATTACHMENTS.COM
CJ,INC. 909 CORMORANT AVE DETROIT LAKES, MN. 56501



GRAIN BUCKET



Fertilizer and grain buckets have large capacities and more roll-back range. Greater roll-back allows granular materials to be easily held in the bucket by minimizing spillage over the front edge.

SPECIFICATIONS

| | | | |
|-----------------------|-------------------|-------------------|--|
| Part# | 9000900 | 9000901 | |
| Description | S72" GRAIN BUCKET | S84" GRAIN BUCKET | |
| Overall Width | 72" | 84" | |
| Inside Depth | 45" | 45" | |
| Overall Height | 31" | 31" | |
| Optional Bolt-On Edge | Yes | Yes | |
| Bucket Edge | 5/8" x 6" | 5/8" x 6" | |
| | A50 Steel | A50 Steel | |

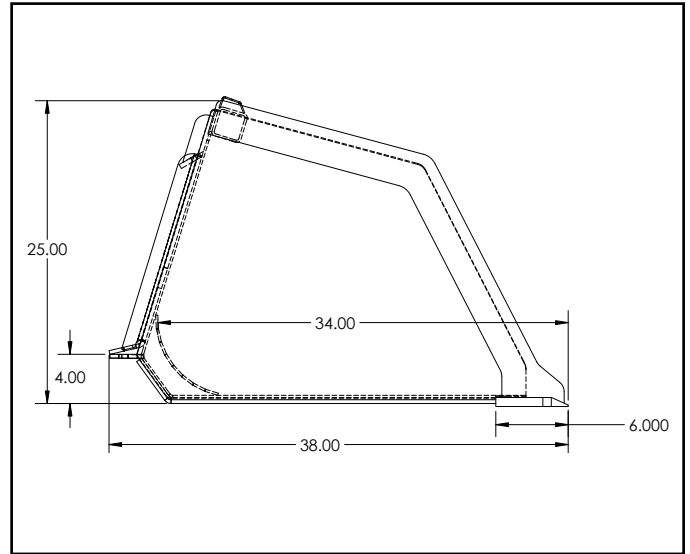


UTILITY BUCKET

Utility Buckets

66" Model #9000161
 72" Model #9000162
 78" Model #9000163

84" Model #9000164
 90" Model #9000165

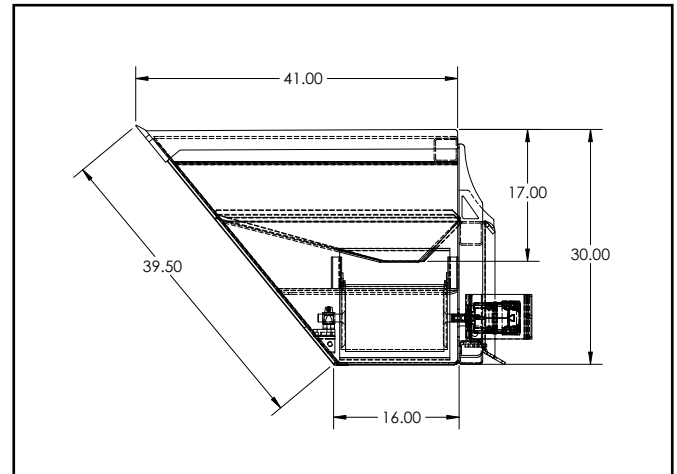


SPECIFICATIONS

| | |
|-------------------------|--------------------------------------|
| Overall Width | 66", 72", 78", 84", 90" |
| Overall Height | 25" |
| Overall Depth | 38.5" |
| Bucket Thickness | 3/16" |
| Side Plates | 3/16" |
| Step Bent Insert | 3/16" |
| Side Cutting Edge | 3/8" Grade 50 |
| Wear Bars | 3/8" Grade 50 |
| Mounting Plate | 5/16" HR Steel |
| Cutting Edge | 3/4" x 6" |
| Step | Extruded Grips |
| Struck Capacity cu. ft. | (66" 20.5) (72" 21.9) (84" 25) |
| Heaped Capacity cu. ft. | (66" 24.6) (72" 26.2) (84" 30) |
| Weights (Lbs.) | (66" 576) (72" 630) (84" 735) |



DUAL SIDE FLOW BUCKET HEAVY MATERIAL



Heavy-duty, heavy material bucket attachment with dual side discharge. This bucket allows material to be scooped up and discharged through one of two side openings. Asphalt or Chevron belt option.

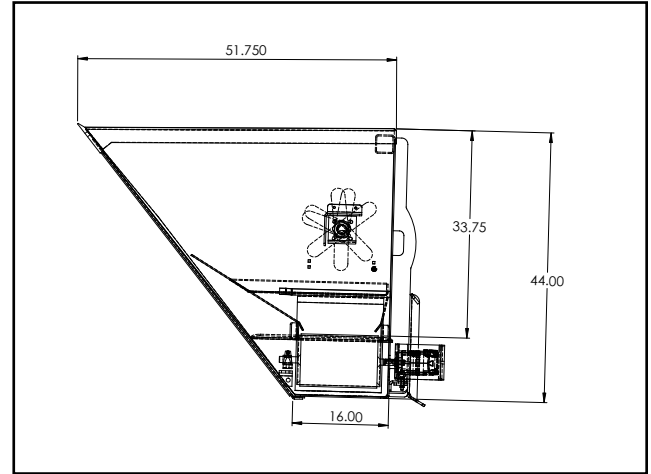
SPECIFICATIONS

| 9000144 72" Standard Side Flow | | 9000145 84" Heavy Side Flow | |
|--------------------------------|-------------------------------------|-------------------------------------|---------------------|
| Part# | 9000144 | 9000145 | 84" Heavy Side Flow |
| Overall Width | 82" | 94" | |
| Overall Height | 30" | 30" | |
| Overall Depth | 42" | 42" | |
| Struck Capacity | 17.5 cu. ft. | 20.41 | |
| Heaped Capacity | 21 cu. ft. | 24.5 | |
| Motors | 4.9 cu.in. - Dual Motors | 4.9 cu.in. - Dual Motors | |
| Flow GPM | 15 -20 GPM | 15 -20 GPM | |
| Belt Speed | Adjustable (Dual Control valves) | Adjustable (Dual Control valves) | |
| Belt | 5/16" Thick, 2-Ply Asphalt Belt | 5/16" Thick, 2-Ply Asphalt Belt | |
| Hydraulic Couplers | Flat Face | Flat Face | |
| Hydraulic Hoses | 1/2" | 1/2" | |
| PSI Min / Max | 2,500 PSI | 2,500 PSI | |
| Bearings | 1" Pillow Block (2) | 1" Pillow Block (2) | |
| Cutting Edge | 5/8" x 6" | 5/8" x 6" | |
| Mounting Plate | 5/16" | 5/16" | |
| Tensioners | Manually adjustable - (4) locations | Manually adjustable - (4) locations | |
| Bucket Thickness | 3/16" | 3/16" | |
| Wear Bars | 3/8" | 3/8" | |
| Weight | 1,000 Lbs. | 1166 | |

800.445.8244 TOPDOGATTACHMENTS.COM
CJ, INC. 909 CORMORANT AVE DETROIT LAKES, MN. 56501



DUAL SIDE FLOW BUCKET LIGHT MATERIAL



SPECIFICATIONS

| Part# 9000145-84 | 84" Side Flow With Beater Bar | #9000145-72 72" Side Flow With Beater Bar |
|--------------------|-------------------------------------|---|
| Overall Width | 97" | 85" |
| Overall Height | 44" | 44" |
| Overall Depth | 52" | 52" |
| Struck Capacity | 46 cu. ft. | 39.4 cu. ft. |
| Heaped Capacity | 55.2 cu. ft. | 47.3 cu. ft. |
| Belt Motors | 4.9 cu.in. - Dual Motors | 4.9 cu.in. - Dual Motors |
| Beater Bar Motor | 18.6 cu. In. | 18.6 cu. In. |
| Flow GPM | 15 -20 GPM | 15 -20 GPM |
| Belt Speed | Adjustable (Dual Control valves) | Adjustable (Dual Control valves) |
| Belt | 5/16" Thick, 2-Ply Asphalt Belt | 5/16" Thick, 2-Ply Asphalt Belt |
| Hydraulic Couplers | Flat Face | Flat Face |
| Hydraulic Hoses | 1/2" | 1/2" |
| PSI Min / Max | 2,500 PSI | 2,500 PSI |
| Bearings | 1" Pillow Block (2) | 1" Pillow Block (2) |
| Cutting Edge | 5/8" x 6" | 5/8" x 6" |
| Mounting Plate | 5/16" | 5/16" |
| Tensioners | Manually adjustable - (4) locations | Manually adjustable - (4) locations |
| Bucket Thickness | 3/16" | 3/16" |
| Wear Bars | 3/8" | 3/8" |
| Weight | 1350 Lbs. | 1157 Lbs. |

Heavy-duty, light material bucket attachment with dual side discharge. The bucket allows material to be scooped up and moved out through one of two side discharge openings. The operator rotates and lowers the attachment to become a bucket able to scoop material up and then rotates and raises to become a spreader/feeder. The side flow bucket has three orbit motors, one to run the beater bar which helps to prevent material bridging and two to operate the flexible track that sends the material out the right or left side opening. Asphalt or Chevron belt option.

800.445.8244 TOPDOGATTACHMENTS.COM
CJ, INC. 909 CORMORANT AVE DETROIT LAKES, MN. 56501

CONCRETE BUCKET



Go more places than large concrete trucks can. Great for the times you can't get a truck in the place/ position you want, or a concrete pumper is overkill. Two models to choose from, a manually operated (CM55) or hydraulically operated (CH55) discharge gate model. The hydraulic discharge gate helps the operator to control the concrete flow more precisely for more accurately placed pours.

SPECIFICATIONS

| SPECIFICATIONS | | |
|-------------------------|------------------------------|---------------------------------|
| Part# | 9000140 | 9000141 |
| Description | CM55" MUD 1/2 YARD MANUAL | CH55" MUD 1/2 YARD HYDRAULIC |
| Height | 21" | 24" |
| Width | 54" | 54" |
| Depth | 34" | 34" |
| Approx. Shipping Weight | 420 lbs | 440lbs |
| CapacityEstimate | Half Yard | Half Yard |
| Discharge Chute Size | 12"x12" | 12"x12" |
| Steel Shell | 10 Gauge Steel | 10 Gauge Steel |
| Operated | Manually | Hydraulically |



ROCK BUCKET HEAVY DUTY



Shown with Universal Quick Attachment

The finger tines have a 6" spacing which allow the gravel and small rocks to fall away while the larger rocks collect in the skeletal like bucket. The colleted large rocks ride in a curved shaped pocket, that helps them from rolling out freely. Tines are thicker than our other rock buckets, 0.5" vs 0.375"

| SPECIFICATIONS | | | | |
|------------------------------|---------------------|---------------------|---------------------|---------------------|
| Part # | 9000270 | 9000271 | 9000272 | 9000273 |
| Description | R62" ROCK BUCKET | R68" ROCK BUCKET | R75" ROCK BUCKET | R82" ROCK BUCKET |
| Inside Width | 60 1/2" | 66 1/2" | 73 1/2" | 80 1/2" |
| Overall Width | 62" | 68" | 75" | 82" |
| Inside Depth | 38" | 38" | 38" | 38" |
| Overall Depth | 45 1/2" | 45 1/2" | 45 1/2" | 45 1/2" |
| Overall Height | 21 1/2" | 21 1/2" | 21 1/2" | 21 1/2" |
| Weight | 530 lbs. | 570 lbs. | 610 lbs. | 660 lbs. |
| Tines, Sides & Top Cross Bar | A50 STEEL | A50 STEEL | A50 STEEL | A50 STEEL |
| Tine Width | 1/2" | 1/2" | 1/2" | 1/2" |
| Tine Spacing | 6" | 6" | 6" | 6" |



ROCK BUCKET



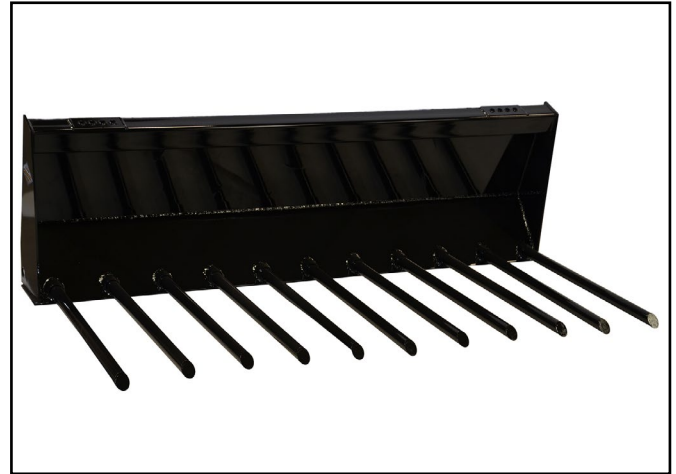
The finger tines, with 3 in. spacing, allow the dirt/sand and gravel to fall away while the rocks collect in the skeletal rock bucket. The rocks ride in a curved shaped pocket, that helps them from rolling out freely. Great for for sifting, sorting and screening differently sized materials of many types.

SPECIFICATIONS

| Part # | 9000100 | 9000101 | 9000102 | 9000103 |
|------------------------------|---------------------|---------------------|---------------------|---------------------|
| Description | R62" ROCK BUCKET | R68" ROCK BUCKET | R75" ROCK BUCKET | R82" ROCK BUCKET |
| Inside Width | 60 1/2" | 66 1/2" | 73 1/2" | 80 1/2" |
| Overall Width | 62" | 68" | 75" | 82" |
| Inside Depth | 38" | 38" | 38" | 38" |
| Overall Depth | 45 1/2" | 45 1/2" | 45 1/2" | 45 1/2" |
| Overall Height | 21 1/2" | 21 1/2" | 21 1/2" | 21 1/2" |
| Weight | 530 lbs. | 570 lbs. | 610 lbs. | 660 lbs. |
| Tines, Sides & Top Cross Bar | A50 STEEL | A50 STEEL | A50 STEEL | A50 STEEL |
| Tine Width | 3/8 | 3/8 | 3/8 | 3/8 |
| Tine Spacing | 3" | 3" | 3" | 3" |



MANURE FORK



Use for manure and hay/straw clean-up. Plus this manure fork can also be used for light brush clearing. Large round tine design makes for easy after use wash-down. Four manure fork sizes to pick from ranging from 54” to 78” overall width and from 8 to 12 tines.

SPECIFICATIONS

| Part# | 9000150 | 9000152 | 9000153 | 9000154 |
|--------------------|----------|----------|----------|----------|
| Description | M54 INCH | M66 INCH | M72 INCH | M78 INCH |
| Overall Width | 54” | 66” | 72” | 78” |
| Overall Depth | 35.83 | 35.83 | 35.83 | 35.83 |
| Overall Height | 22” | 22” | 22” | 22” |
| Usable Tine Length | 26.75” | 26.75” | 26.75” | 26.75” |
| Number of Tines | 8 | 11 | 11 | 12 |
| Approx. Weight | 340 lbs | 410 lbs | 445 lbs | 480 lbs |
| Replaceable Tines | YES | YES | YES | YES |

SCREENED SNOW LIGHT MATERIAL BUCKET



Whether your area receives just a few flakes or a lot, our snow bucket is designed to handle them. This skid steer bucket attachment can take on a variety of snow conditions. Choose the right size bucket for your skid steer and situation. This attachment now comes in eight widths: 66", 72", 78", 84", 90", 96", 102" or 108". Option with or without Screen Design.

SPECIFICATIONS

| | 9000251 NO SCREEN | 9000252 | 9000253 | 9000254 | 9000255 NO SCREEN | 9000256 | 9000257 | 9000258 |
|------------------------------|---|---|---|---|---|---|---|---|
| | 9000121 | 9000122 | 9000128 | 9000123 | 9000124 | 9000125 | 9000126 | 9000127 |
| Description A36 Steel | S 66" SNOW BUCKET | S 72" SNOW BUCKET | S 78" SNOW BUCKET | S 84" SNOW BUCKET | S 90" SNOW BUCKET | S 96" SNOW BUCKET | S 102" SNOW BUCKET | S 108" SNOW BUCKET |
| Overall Width | 66" | 72" | 78" | 84" | 90" | 96" | 102" | 108" |
| Inside Width | 64" | 70" | 76" | 82" | 88" | 94" | 100" | 106" |
| Inside Depth | 40" | 40" | 40" | 40" | 40" | 40" | 40" | 40" |
| Overall Depth | 46" | 46" | 46" | 46" | 46" | 46" | 46" | 46" |
| Overall Height | 34" | 34" | 34" | 34" | 34" | 34" | 34" | 34" |
| Weight | 580 lbs. | 650 lbs. | 695 lbs. | 720 lbs. | 760 lbs. | 780 lbs. | 800 lbs. | 830 lbs. |
| Bucket Edge A50 Steel | 5/8" x 6" | 5/8" x 6" | 5/8" x 6" | 5/8" x 6" | 5/8" x 6" | 5/8" x 6" | 5/8" x 6" | 5/8" x 6" |
| Optional Bolt-On Blade | 5/8x8 Double Bevel Bolt on Cutting Edge | 5/8x8 Double Bevel Bolt on Cutting Edge | 5/8x8 Double Bevel Bolt on Cutting Edge | 5/8x8 Double Bevel Bolt on Cutting Edge | 5/8x8 Double Bevel Bolt on Cutting Edge | 5/8x8 Double Bevel Bolt on Cutting Edge | 5/8x8 Double Bevel Bolt on Cutting Edge | 5/8x8 Double Bevel Bolt on Cutting Edge |
| Yardage Struck | 1.00 | 1.10 | 1.20 | 1.30 | 1.40 | 1.50 | 1.59 | 1.69 |
| Heaped Capacity | 1.20 | 1.32 | 1.44 | 1.56 | 1.68 | 1.80 | 1.91 | 2.03 |

800.445.8244 TOPDOGATTACHMENTS.COM
CJ, INC. 909 CORMORANT AVE DETROIT LAKES, MN. 56501



SNOW PUSHER



9033021-PB Optional Pull Back Bar



Great for clearing parking lots, driveways, runways etc. Designed for removing high volume of snow much quicker than the standard snow blade. Optional reversible Laser Cut Grade 50 Steel Cutting Edge, adjustable and Replaceable Wear Bars. Comes equipped with a Universal Quick Attach mount.

SPECIFICATIONS

Compact Tractors

Skid Steer Tractors

| Part# | RKSP60 | RKSP72 | 21233017-96" | 21233021-120" |
|--------------------------------|----------|----------|--------------|---------------|
| Weight | 252 lbs. | 315 lbs. | 737 lbs. | 876 lbs. |
| Width | 60" | 72" | 96" | 120" |
| Height | 23.18" | 23.18" | 40" | 40" |
| Depth | 24.6" | 24.6" | 29" | 29" |
| 1/4 x 4" Cutting Edge | GR-50 | GR-50 | GR-50 | GR-50 |
| 3/16" Body | A-50 | A-50 | A-50 | A-50 |
| 3/16" Side Plates | A-50 | A-50 | A-50 | A-50 |
| 1/4" Side Plates Reinforcement | A-50 | A-50 | A-50 | A-50 |

800.445.8244 TOPDOGATTACHMENTS.COM
CJ,INC. 909 CORMORANT AVE DETROIT LAKES, MN. 56501



SNOW BLADE



Have you been pushing to get a new snow handling attachment for your skid steer? This plow has two hydraulic rams to aid the blade's center pivoting action, adjustable spring tensioners, a replaceable bolt on cutting wear edge, plus dual adjustable height skid pads. Plow winter out of your way.

SPECIFICATIONS

| Part # | RKSB66 | RKMSB66 | 9000223 | 9000224 |
|------------------------|-----------------------|--------------------------|-------------------|-------------------|
| Description | 66" HYD SNOW BLADE | 66" Manual SNOW BLADE | 72" SNOW BLADE | 90" SNOW BLADE |
| Overall Height | 24" | 24" | 24" | 24" |
| Overall Width | 66" | 66" | 72" | 90" |
| Overall Length | 37" | 37" | 37" | 37" |
| Weight | 545 | 510 | 530 | 560 |
| Blade Degrees of Pivot | 30 | 30 | 30 | 30 |

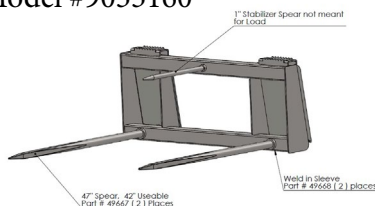
66" Designed for Compact Tractors

800.445.8244 TOPDOGATTACHMENTS.COM
CJ, INC. 909 CORMORANT AVE DETROIT LAKES, MN. 56501

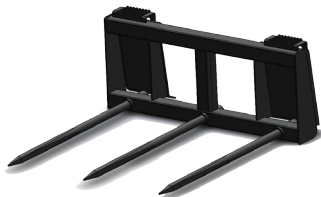


BALE SPEARS

Double Bale Spear
Model #9033160



Triple Bale Spear
Model #9033159



SB2 Square Bale Spear
Model #9000205



RB3 Bale Spear
Model #9000206



Double Bale Spear

Triple Bale Spear

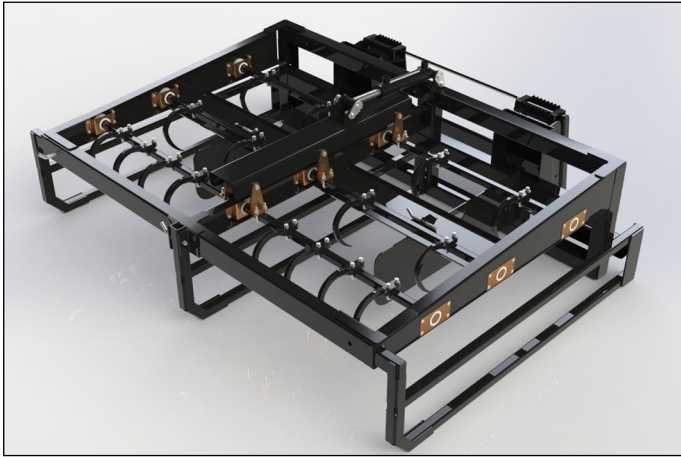
| | | |
|----------------------|---|--|
| Width | 46" | 46" |
| Height | 20" | 20" |
| Overall Depth | 50" | 50" |
| Width Between Spears | 36" | 36" |
| Spear | 47" Spear Bolt in Spear, 42" Useable Length (P# 49667) | 47" Spear Bolt in Spear, 42" Useable Length (P# 49667) |
| Sleeve | Weld in Sleeve (P# 49668) | Weld in Sleeve (P# 49668) |
| Stabilizer Spear | 1" Cold Roll Round 23" Spear, 18½" Useable (P# 33160-7) | |
| Max Lift | Total Max Load 3000 lbs | Total Max Load 3000 lbs |
| Weight | 265 lbs | 224 lbs |

| | |
|----------------------|--|
| Width | 46" |
| Height | 20" |
| Overall Depth | 50" |
| Width Between Spears | 36" |
| Spear | 47" Spear Bolt in Spear, 42" Useable Length (P# 49667) |
| Sleeve | Weld in Sleeve (P# 49668) |
| Weight | 180 lbs |
| Max Lift | Total Max Load 3000 lbs |

| | |
|----------------------------------|--|
| Width | 45.75" |
| Height | 19.5" |
| Overall Depth | 49.9" |
| Top Spears | 41.10" |
| Bottom Spears | 26.50" |
| Sleeve | Weld in Sleeve (P# 49668) |
| Spear | 41.10" Useable Length 47" Overall Length (P# 49667) 3500 LB max |
| Max Lift | Total Max Load 3000 lbs |
| Tapered Stabilizer Spears Welded | 14.50" |
| Weight | 275 lbs |



6 PACK BALE ACCUMULATOR GRAPPLE



Hands free haying. Grabs and lifts 6 square bales at a time. Quickly mounts to Skid Steers or Tractors. Removable sides for ease of grabbing when stacked.

Hose kit sold separately

6' Kit# 9055003-06

7' Kit# 9055003-07

8' Kit# 9055003-08

SPECIFICATIONS

| | |
|---------------|---|
| Width | 84" |
| Overall Depth | 68" |
| Height | 26" |
| Cylinder | 2 x 8 Welded Cross Tube ORB Ports |
| Bushings | Impact Resistant UHMW |
| Hooks | 65-45-12 Ductile Iron |
| Frame | Laser Cut and Formed |
| Hoses | 3/8" 3000 psi Hydraulic Hoses Sold Separately Optional-6', 7' 8' |
| Max Lift | 6 Bales |
| Weight | 600 lbs |
| | |



HAY HANDLING

10 PACK BALE ACCUMULATOR GRAPPLE



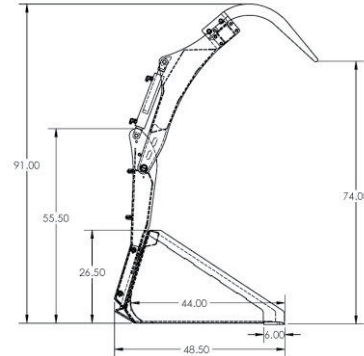
Hands free haying. Grabs and lifts 8 to 10 square bales at a time. Quickly mounts to Skid Steers or Tractors.

SPECIFICATIONS

| | |
|---------------|--------------------------------------|
| Width | 84" |
| Overall Depth | 104" |
| Height | 26" |
| Cylinder | 2 x 8 Welded Cross Tube ORB Ports |
| Bushings | Machined Wear Resistant Nylon |
| Hooks | 65-45-12 Ductile Iron |
| Frame | Laser Cut and Formed |
| Hoses | 3/8" 3000 psi Hydraulic Hoses |
| Max Lift | 8-10 Bales |
| Weight | 998 lbs |
| | |

800.445.8244 TOPDOGATTACHMENTS.COM
CJ, INC. 909 CORMORANT AVE DETROIT LAKES, MN. 56501

84" HIGH CAPACITY BUCKET GRAPPLE



Easily lift 2 large bales at once
Large jaw openings for handling round bales

SPECIFICATIONS

| | |
|-------------------------|--------------------------|
| Part# | 9033337 |
| Width | 84" |
| Overall Height - Closed | 55" |
| Overall Height-Open | 78" |
| Overall Depth | 60" |
| Grapple Opening | 73" |
| Depth of Bucket | 40" |
| Tines | 3/8" - Grade 50 |
| Cutting Edge | 1/2" x 10" - Grade 50 |
| Top Tube | 3" x 4" x 1/4" |
| Bottom Tube | 3" x 4" x 1/4" |
| Grapple Tines | 5/8" T-1 - Laser Cut |
| Cylinders | 2" x 12" - Welded Clevis |
| Hydraulic Couplers | Flat Face |
| Hydraulic Hoses | 3/8" |
| PSI Max | 3,000 PSI |
| Pivot Points | Grease Zerks |
| Struck Capacity Cu. Ft. | 27.3 |
| Heaped Capacity Cu. Ft. | 32.7 |
| Weight | 1229 LBS |

LANDPLANE



Remove large clods and rocks while leveling and grading with the landplane attachment. Working in either forward or reverse, the landplane makes it easy to break up hard ground and level a surface. Use the landplane to peel sod or aerate soil for seeding. No more back-breaking hand-raking. Turn a loader into a powerful land-planning tool with the landplane attachment.

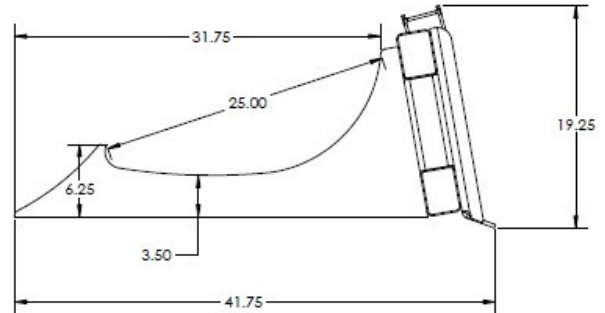
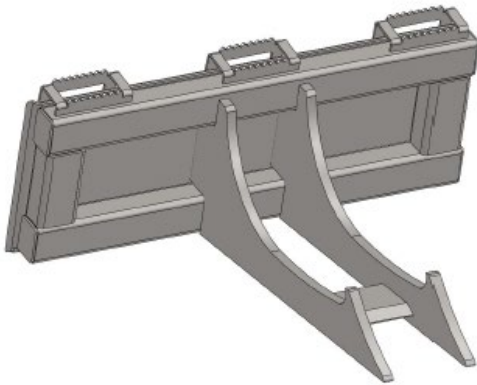
SPECIFICATIONS

| | |
|--------------------|--------------------------|
| Part # | 9133022 |
| Description | LP 79 INCH LAND PLANE |
| Overall Depth | 49.76 |
| Overall Height | 19" |
| Overall Width | 79" |
| Cutting Edge Width | 1/2 X 6" |
| Weight | 575 LBS |

800.445.8244 TOPDOGATTACHMENTS.COM
CJ, INC. 909 CORMORANT AVE DETROIT LAKES, MN. 56501



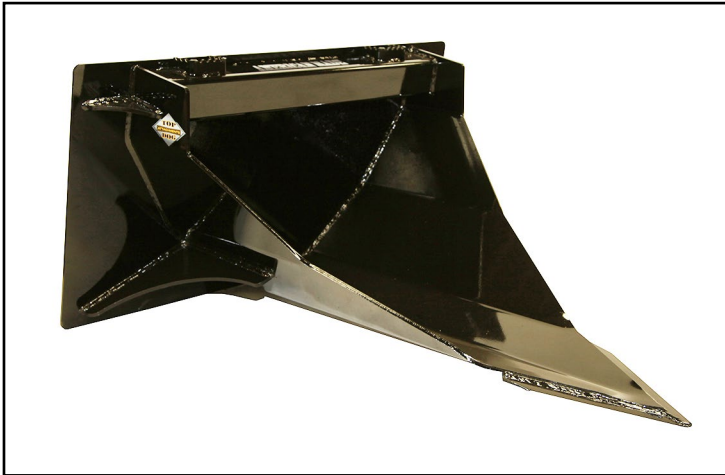
ROCK/STUMP DIGGER



SPECIFICATIONS

| | |
|-------------------|--------------------|
| Rock/Stump Digger | Model#9033041 |
| Overall Width | 41.75" |
| Overall Height | 19.25" |
| Overall Depth | 31.25" |
| Mount Plate | 5/16" Grade 50 |
| Tines | 1" T-1 Steel |
| Cutting edge | 3/4 x 6 1055 Steel |
| Tubing | 3 x 4 x 1/4" |
| Weight | 334 lbs. |

TREE SPADE



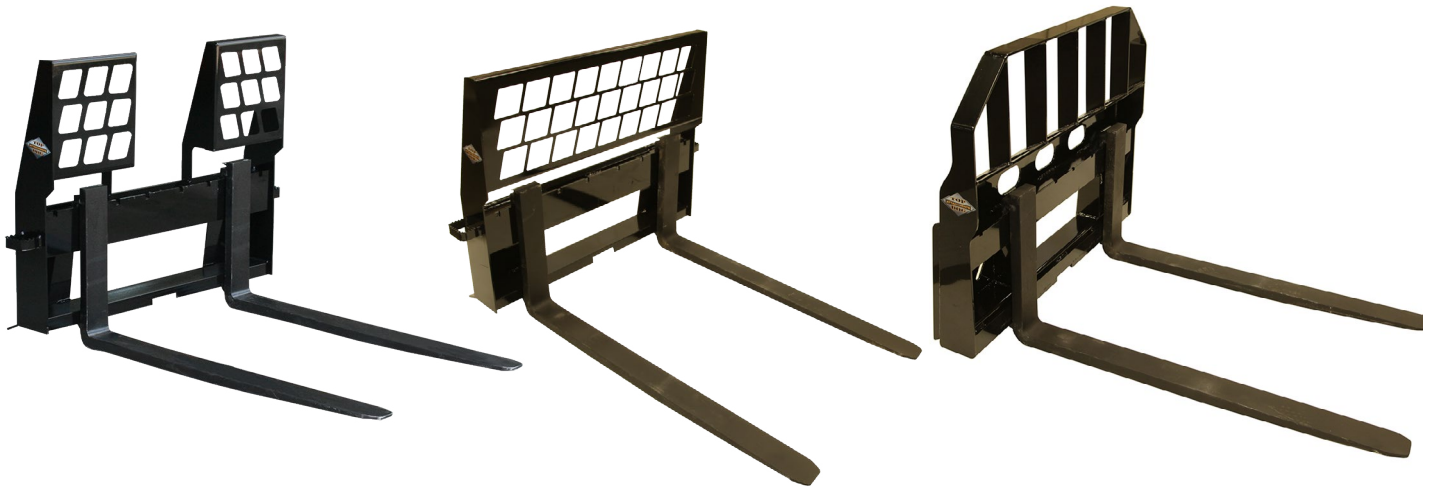
Relocate small trees. Single blade shovel like design.

SPECIFICATIONS

| | |
|----------------|------------|
| Part# | 9000196 |
| Description | TREE SPADE |
| Overall Height | 23" |
| Length | 49.5" |
| Overall Width | 45" |
| Spade Width | 36" |
| Weight | 405 LBS |



FORK AND FRAME / HD / WALK THROUGH



Use Top Dog's Fork and Frame attachment with comfort and ease. The Fork and frames are designed for the Heavy Duty jobs. Features reinforced side rail, reinforced back plate, handy side steps, (unique center step on walk through) and 48" locking forks. Designed and manufactured in the USA with imported forks.

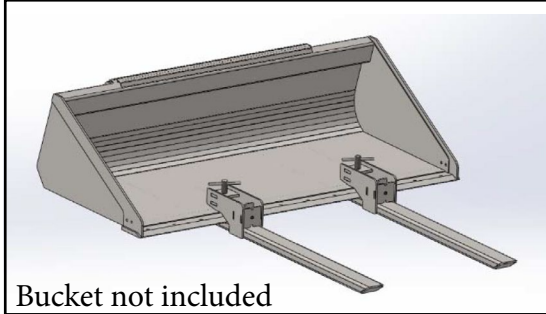


| SPECIFICATIONS | | | | |
|-------------------------|-----------------------------|--------------------------------|---------------------|---------------------|
| Part# | 9010012 | 9000015 | 9010010 | 9010011 |
| Description | WALK THROUGH FORK AND FRAME | HD WALK THROUGH FORK AND FRAME | FORK AND FRAME | HD FORK & FRAME |
| Height | 39.5 | 39.5 | 39.5 | 39.5 |
| Width | 50" | 50" | 50" | 50" |
| Width Less Steps | 46" | 46" | 46" | 46" |
| Weight | 380 lbs | 525 lbs | 380 lbs | 525 lbs |
| Fork Length | 48" | 48" | 48" | 48" |
| Fork Width | 4" | 4" | 4" | 4" |
| Estimated Load Capacity | 4,400 lbs. per pair | 4,400 lbs. per pair | 4,400 lbs. per pair | 4,400 lbs. per pair |

800.445.8244 TOPDOGATTACHMENTS.COM
CJ, INC. 909 CORMORANT AVE DETROIT LAKES, MN. 56501



CLAMP-ON PALLET FORKS



Bucket not included



FEATURES

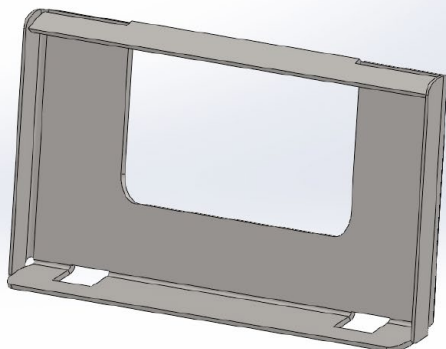
- Durable construction for years of use
- Easy on/off design for added convenience
- Mounts to most loader buckets without tools
- Easy adjustment to any pallet width
- Built-in stake pocket for a 2x4 to be installed as an upright backstop

Designed for use with palletized material only. Lift limit is determined by fork capacity or loader capacity, whichever is less. Capacity is based on no more than 1/2 load per fork and load no more than 1/2 way out on each fork.

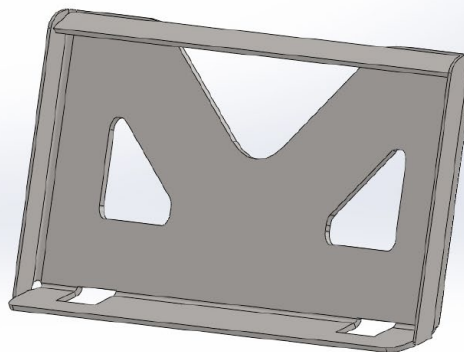
SPECIFICATIONS

| | | |
|---|-----------------------|--|
| Part # | 9033179 | |
| Description | CLAMP-ON PALLET FORKS | |
| Lift Capacity- (Per set of 2 pallet forks) | 2,000 lbs. | |
| Overall tine length | 41-1/4" | |
| Weight each | 61 lbs. | |
| Tine width | 4" | |
| Tine height | 2" | |
| Threaded clamp rod | 1-6 acme | |
| Throat opening | 1-3/8" | |
| Throat depth | 8" | |

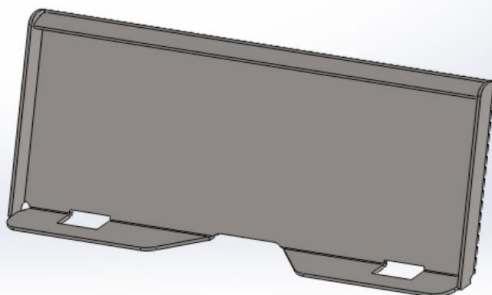
MOUNTING PLATES



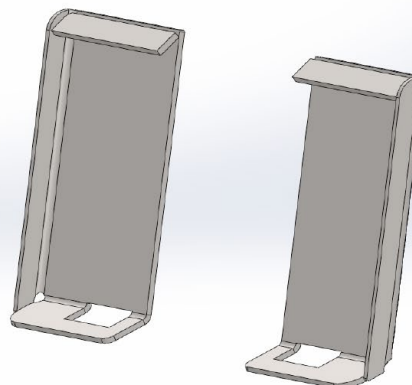
U-Style Model #9233000



V-Style Model #9233005



Solid Style Model #9233031

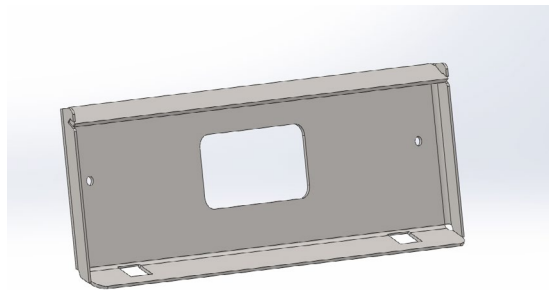


2 Piece Model #90133043

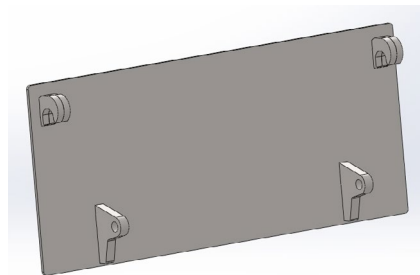
Fits all loaders and skid steers
with universal quick-attach hitches

| SPECIFICATIONS | |
|-------------------------|--------|
| 33000 U Style | 58 lbs |
| 33005 V Style | 74 lbs |
| 33031 Solid | 85 lbs |
| 33043 - 2 Piece (L & R) | 41 lbs |

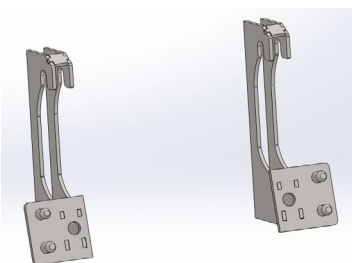
MOUNTING PLATES



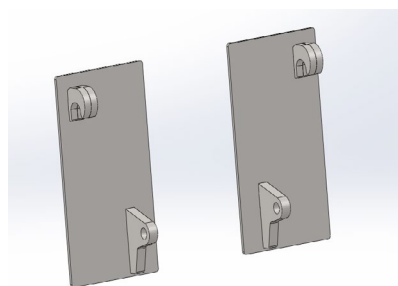
RC-30 / PT-30
Model # 90133130



Euro Style Plate
Model #
90133219

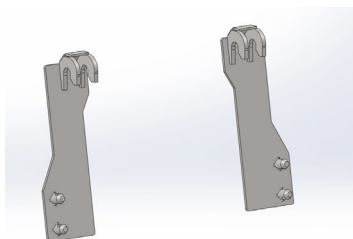


JD 400/500
Series Kits
(Offset Style)
Model # 90133228



Euro Style Plates
2 piece
Model # 90133229

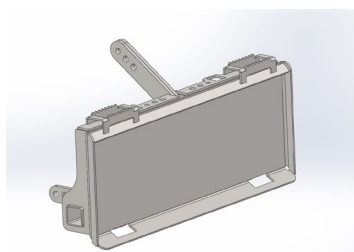
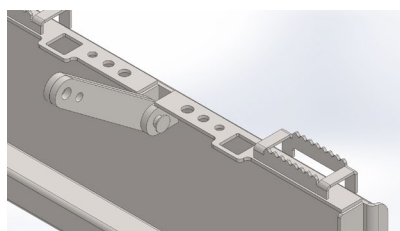
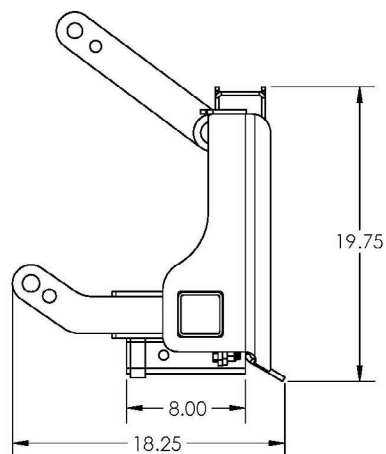
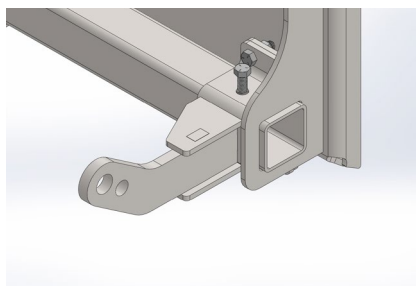
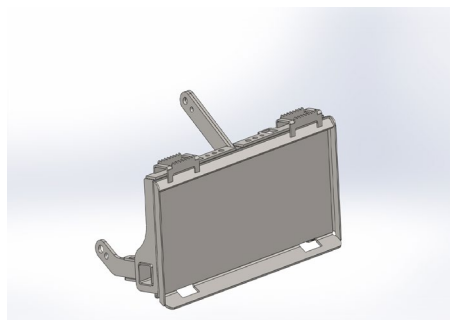
Fits all loaders and skid steers
with universal quick-attach hitches



JD 400/500
Series Kits
(Flat Style)
Model # 9033199

| SPECIFICATIONS | |
|-----------------------|--------|
| 33229 Euro Style 2 PC | 46 lbs |
| 33219 Euro Style | 86 lbs |
| 33228 JD Offset Style | 40 lbs |
| 33199 JD Flat Style | 26 lbs |
| 33130 RC-30/PT0 | 53 lbs |

3 POINT ADAPTER



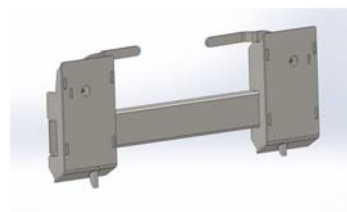
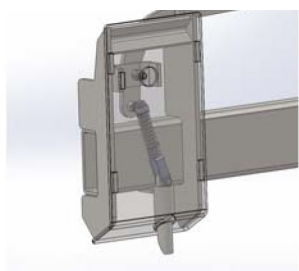
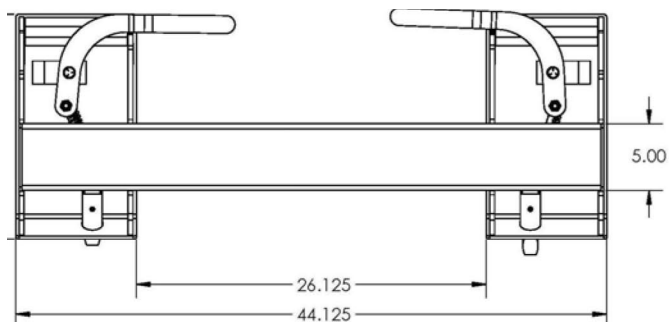
SPECIFICATIONS

| | |
|----------------|-----------------|
| Model # | 9033280 |
| Overall Width | 18.25" |
| Overall Height | 19.75" |
| Depth | 8" |
| Mounting Plate | 5/16" Grade 50 |
| Tube | 3" x 3" x 3/16" |
| Link Plates | 5/8" Grade 50 |

Cat 1 and 2 Adapter

MOUNTING PLATES/ADAPTERS

UNIVERSAL ADAPTER



Easily convert Pin On Style Loaders to Universal Skid Steer Style

Slim design keeps attachment close to machine

Mounts not included

SPECIFICATIONS

| | |
|----------------|-------------------------------|
| Model# | 9033054 |
| Overall Width | 44.125" |
| Overall Height | 16.875" |
| Depth | 4" |
| Bracket Height | 16.875" |
| Bracket Width | 9" |
| Tube | 2" x 5" x .250" |
| Handle | Laser Cut 3/8" Grade 50 Steel |
| Weight | 104 lbs |

800.445.8244 TOPDOGATTACHMENTS.COM
CJ, INC. 909 CORMORANT AVE DETROIT LAKES, MN. 56501



CUTTING EDGE



Cutting edge available for Dirt Buckets, Grain Buckets, Utility Buckets, Snow Buckets and Dual Side Flows.

5/8 x 8 with 6" spacing.

AVAILABLE SIZES

| AVAILABLE SIZES | | | | | | | |
|--------------------------|--------------------------|--------------------------|--------------------------|--------------------------|--------------------------|---------------------------|--------------------------|
| S 66" SNOW BUCKET | S 72" SNOW BUCKET | S 78" SNOW BUCKET | S 84" SNOW BUCKET | S 90" SNOW BUCKET | S 96" SNOW BUCKET | S 102" SNOW BUCKET | S 108" SNOW BUCKET |
| D60" DIRT | D66" DIRT | D72" DIRT | D78" DIRT | D84" DIRT | D96" DIRT HD | | |
| 72"DUAL SIDE FLOW | 84" DUAL SIDE FLOW | | | | | | |
| S72" GRAIN BUCKET | S84" GRAIN BUCKET | S96" GRAIN BUCKET | | | | | |
| 66" UTILITY BUCKET | 72" UTILITY BUCKET | 78" UTILITY BUCKET | 84" UTILITY BUCKET | 90" UTILITY BUCKET | 96" UTILITY BUCKET | 102" UTILITY BUCKET | |



TOOTH BAR



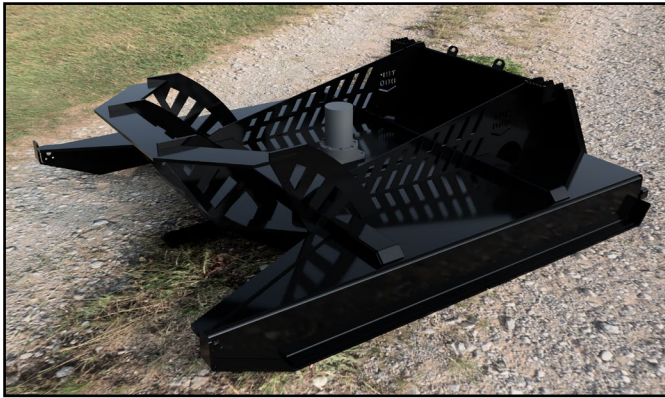
Give your old bucket a new bite with a sharp, solid tooth bar. Made in the USA, our heavy-duty tooth bar can rip and tear through earth with ease, helping you get the job done quick. Heavy duty tooth design with pre-drilled holes allowing bolting to your old bucket sides. The tooth bar is specially heat-treated to ensure strength & durability. Teeth are built to pin on to the bar. They can be removed from the bar to re-sharpen or replace, which will increase your bucket's life. The teeth are spaced 9" apart* with cutting edge specs of 4 x 1/2 inches. This makes for optimal cutting & grasping power when tearing through earth. In addition, the tooth bar mounts securely in place. It bolts tightly to the bucket sides as the cutting edge rides in a special, V-shaped pocket to help protect the bucket edge.

SPECIFICATIONS

| SPECIFICATIONS | |
|-------------------------|--|
| Part# | 90100160- 60", 90100168- 68" 90100172- 72", 90100178- 78" |
| Description | TOOTH BAR |
| Tooth Spacing On Center | 9" |
| Cutting Edge Size | 4"x1/2" |
| Cutting Edge Material | C1055 |
| Mounting type | Bolts onto bucket sides/cutting edge rides in V-shaped pocket. |
| Adapters | Hardened heat treated with pin-on teeth. |



OPEN FRONT BRUSH CUTTER



| | |
|--------------------|--------------------------------|
| Blade Carrier | Laser Cut Plate |
| Blade Rotation | Counter Clockwise |
| Cutting Capacity | Up to 4 1/2" |
| Drive | Eskridge |
| Motor | 160 CC |
| Hydraulic Couplers | Flat Face 1/2" Body - ISO16028 |
| Hydraulic Hoses | 3/4" |
| PSI Max | 3,000 PSI |
| Wear Bars | 3/8" Thick - Welded on |

Low Flow Options Available

SPECIFICATIONS

| | 72" #9033252 | 78" #9033255 | | |
|----------------|--|--|--|--|
| Overall Width | 75.5" | 85" | | |
| Overall Length | 88" | 96" | | |
| Overall Height | 22" | 22" | | |
| Blades, Bolts | Blades: 5/8" x 5" and 2 1/2" Drop - 25.25 hole to tip Bolts: BB100A | Blades: 5/8" x 5" and 2 1/2" Drop - 25.25 hole to tip Bolts: BB100A | | |
| Blade Carrier | 3/4" T1, 27" Diameter | 3/4" T1, 35 1/4" Diameter | | |
| Nut | 1.25 - 7" Castle Nut | 1.25 - 7" Castle Nut | | |
| Flow | 18-22GPM | 18-22GPM | | |
| Deck Thickness | 1/4" | 1/4" | | |
| Weight | 1220 Lbs. | 1585 Lbs. | | |

800.445.8244 TOPDOGATTACHMENTS.COM
CJ, INC. 909 CORMORANT AVE DETROIT LAKES, MN. 56501



CLOSED FRONT GEARBOX MOWER



| | |
|--------------------|--------------------------------|
| Blade Carrier | Laser Cut Plate |
| Blade Rotation | Counter Clockwise |
| Cutting Capacity | Up to 4" |
| Drive | RIGHT ANGLE GEARBOX |
| Motor | 130 CC |
| Hydraulic Couplers | Flat Face 1/2" Body - ISO16028 |
| Hydraulic Hoses | 3/4" |
| PSI Max | 3,000 PSI |
| Wear Bars | 3/8" Thick - Welded on |

Low Flow Options Available

SPECIFICATIONS

| | 66" #9033255 | 72" #9033256 | 78" #9033257 | |
|----------------|--------------------|--------------------|--------------------|--|
| Overall Width | 70" | 75.5" | 85" | |
| Overall Length | 82" | 88" | 96" | |
| Overall Height | 22" | 22" | 22" | |
| Blades, Bolts | 3: 1/2"X 4" Blades | 3: 1/2"X 4" Blades | 3: 1/2"X 4" Blades | |
| Flow | 18-22GPM | 18-22GPM | 18-22GPM | |
| Deck Thickness | 1/4" | 1/4" | 1/4" | |
| Weight | 1120 Lbs. | 1220 Lbs. | 1585 Lbs. | |

800.445.8244 TOPDOGATTACHMENTS.COM
CJ, INC. 909 CORMORANT AVE DETROIT LAKES, MN. 56501



EXTREME TREE CUTTER



SPECIFICATIONS

| | |
|----------------------|---|
| Overall Width | 75.5" |
| Overall Length | 81" |
| Overall Height | 26" |
| Blade Carrier | (2) 5/8" T-1 Plates - Bolted Together |
| Blades | 4 Blades 5/8" x 6" x 17" Chrome Moly Hardened & Certified |
| Blade holder | 5/8" T-1 Welded & Bolted Plates (1000 lbs with blades) |
| Blade Rotation | Counter Clockwise |
| Cutting Capacity | Up to 6" |
| Drive | Direct |
| Motor | 11.9 cu. in. |
| Flow | 26 - 45 GPM |
| Blade Tip Speed FPM | Min @ 26 GPM (9,311) Max @ 45 GPM (16114) |
| Weight | 2,075 Lbs. |
| Hydraulic Hoses | 1" Sleeved Hose, 5000 PSI rated |
| PSI Min/Max | 4,000 PSI / Relief Valve 4000/1200 |
| Deck Thickness | 1/4" |
| Wear Bars & Push Bar | 1/2" Thick, Grade 50 - Welded on |

800.445.8244 TOPDOGATTACHMENTS.COM
CJ, INC. 909 CORMORANT AVE DETROIT LAKES, MN. 56501



LOG SPLITTER



The 20 ton log splitter attaches to your skid steer converting it into an effective tool for splitting firewood into manageable sized pieces. This innovative design allows the operator to position the splitter over the log and split it as it lays on the ground. This attachment can also grip the log for positioning over a wagon or truck bed eliminating the task of lifting the split wood into the transport vehicle. This log splitter has 1/4" walls and a welded cylinder for long lasting use.

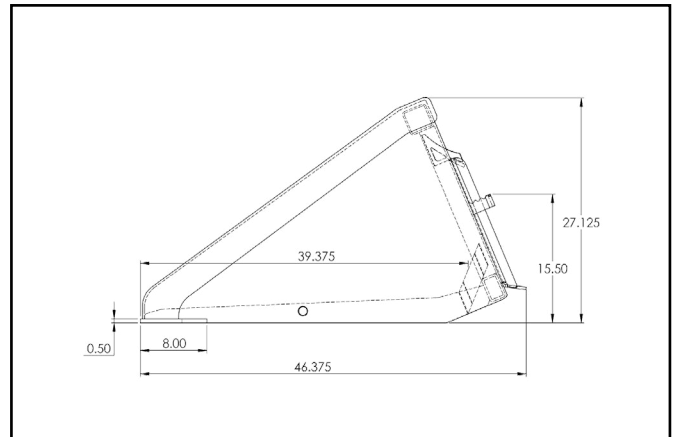
SPECIFICATIONS

| SPECIFICATIONS | | |
|----------------|-------------------------|--|
| Part # | 9233057 | |
| Description | 36" 20 TON LOG SPLITTER | |
| Overall Height | 22" | |
| Width | 45" | |
| Length | 108" | |
| Weight | 680 | |

800.445.8244 TOPDOGATTACHMENTS.COM
CJ, INC. 909 CORMORANT AVE DETROIT LAKES, MN. 56501



FIREWOOD BUCKET



Weld On Grapple Available- 9010000

SPECIFICATIONS

| SPECIFICATIONS | |
|---------------------|---|
| Part# | 9010004-56" 9010005-62" 9010006-68" 9010002-75" 9010007-82" 9010003-90" 9010008-75" 9010009-82" 9010110-90" |
| Description | Firewood Bucket XL Firewood Bucket |
| Cutting edge | 1/2" GR50 1/2" GR50 |
| Side plates | 7 GA HRP&O A1011 1/4" GD 50 |
| Side Cutting edge | 5/16 GR50 5/16 GR50 |
| Bottom tube | 2 x 3 x 1/4 2 x 3 x 1/4 |
| Top tube | 3 x 3 x 3/16 3 x 3 x 3/16 |
| Over all height | 27-1/8" 40" |
| Overall width | 56-3/8", 62-3/8", 68-3/8" 75-3/8", 82-3/8", 90-3/8" 56-3/8", 62-3/8", 68-3/8" 75-3/8", 82-3/8", 90-3/8" |
| Overall depth | 46-3/8" 46-3/8" |
| Space between tines | 3-7/8" 3-7/8" |
| Tines | 5/16 GRGR0 5/16 GRGR0 |
| Weight | 56- 422 lbs, 62-460 lbs, 68-482 lbs, 75-540 lbs, 82-548 lbs, 90-650 lbs 75-600 lbs, 82-650 lbs, 90-700 lbs |

800.445.8244 TOPDOGATTACHMENTS.COM
CJ,INC. 909 CORMORANT AVE DETROIT LAKES, MN. 56501



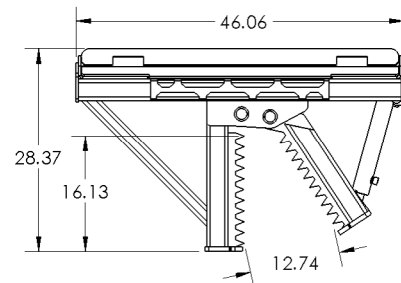
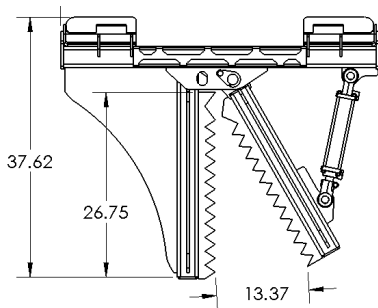
TREE PULLER



Tree Puller - Low Profile Item #9033351



Tree Puller - HD Item#9033350



SPECIFICATIONS

| Part# | 9033350 | 9033351 |
|--------------------|------------------|------------------|
| Overall Height | 21.6" | 28.0" |
| Overall Width | 46" | 46" |
| Overall Depth | 37.9" | 28.4" |
| Grapple Opening | 12.5" | 10" / 12.75" |
| Grapple Teeth | 5/8 Grade 50 | 5/8 Grade 50 |
| Flat Face Couplers | Included | Included |
| Hydraulic Hoses | 3/8" | 3/8" |
| Cylinder | 2" x 8" Welded | 2 x 8" Tie Rod |
| Main Pin | 1-1/2" Greasable | 1-1/2" Greasable |
| Weight | 346 | 366 |



TORO DINGO



Toro Dingo Rock Bucket

| SPECIFICATIONS | |
|---------------------|---------|
| Model# | 9033183 |
| Overall Width | 42" |
| Overall Height | 15" |
| Overall Depth | 24¾" |
| Inside Depth | 18½" |
| Tines | 1/4" |
| Width between tines | 1¾" |
| Weight | 180 lbs |
| Mounting Plate | 1/4" |

Fits any Mini Skid Steer with Toro Dingo style mounting plate



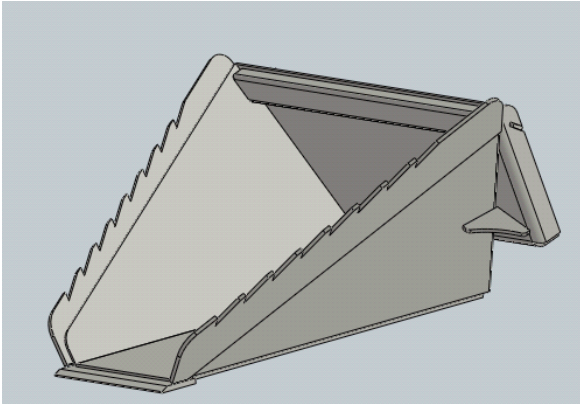
Pallet Forks

| SPECIFICATIONS | |
|-------------------------|-----------------|
| Model# | 9033105 |
| Overall Width | 36" |
| Overall Height | 32" |
| Overall Depth | 50 1/2" |
| Inside Depth | 42 1/4" |
| Forks-Thk. / Total Cap. | 1 3/16" - 2200# |
| Width between Forks | 29" |
| Weight | 180 lbs |
| Mounting Plate | 1/4" |

Capacity is based on no more than 1/2 load per fork and load no more than 1/2 way out on each fork



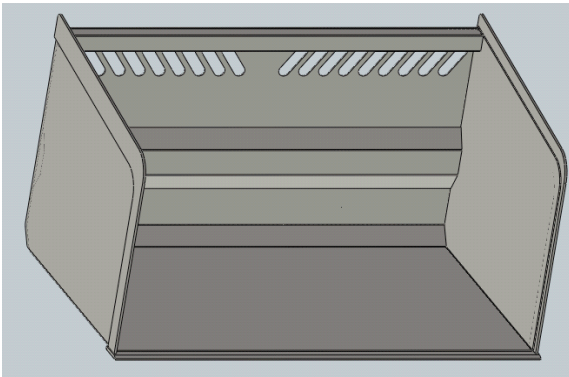
TORO DINGO



Dingo Stump Bucket

| SPECIFICATIONS | |
|----------------|---------|
| Model# | 9033152 |
| Overall Width | 27" |
| Overall Height | 14.5" |
| Depth | 29.5" |

Fits any Mini Skid Steer with Toro Dingo style mounting plate

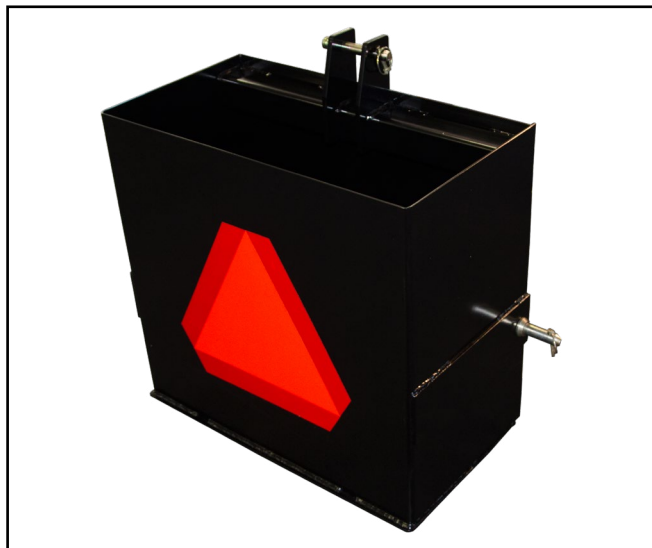


Dingo Snow Bucket

| SPECIFICATIONS | |
|----------------|----------|
| Model# | 9033501 |
| Overall Width | 48" |
| Overall Height | 28" |
| Depth | 31" |
| Capacity | .8CU/YDS |



BALLAST BOX / RECEIVER WIRE UNROLLER



Counterbalance your weight with our TopDog Ballast Box. Fits 30-50 HP Tractor

BALLAST BOX

| | | | | |
|-----------------|----------------------|--|--|--|
| Part# | 90390011 | | | |
| Description | BALLAST BOX | | | |
| Shipping Weight | 155 lbs | | | |
| Cupic Foot | 4.9 | | | |
| Dimensions | 25 1/2 x 13 3/4 x 24 | | | |
| Capacity | 450 lbs | | | |

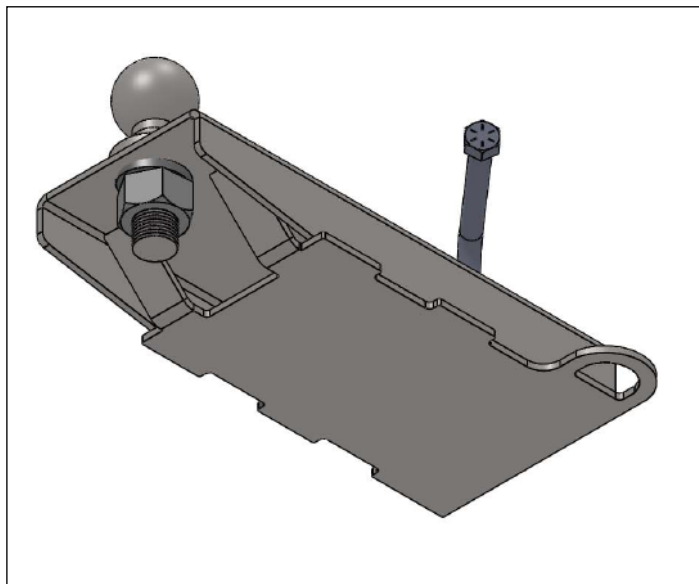
RECEIVER WIRE UNROLLER SPECIFICATIONS

| | | | | |
|-------------|-------------------|--|--|--|
| Part# | 9000197 | | | |
| Description | ATV WIRE UNROLLER | | | |
| Weight | 27 lbs | | | |

800.445.8244 TOPDOGATTACHMENTS.COM
CJ,INC. 909 CORMORANT AVE DETROIT LAKES, MN. 56501

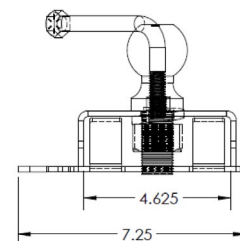
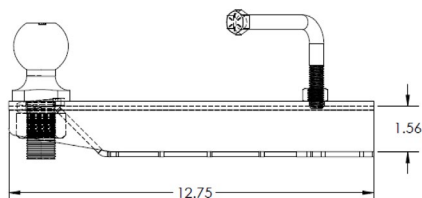


PALLET FORK CLAMP ON TRAILER MOVER



Attach strap or small chain from pallet fork brick guard to this loop for added safety

Ball not included



Designed for light duty trailer moving

SPECIFICATIONS

| | |
|------------------------------|------------------------------------|
| Model# | 90133287 |
| Description | PALLET FORK CLAMP ON TRAILER MOVER |
| Overall Height | 5" |
| Overall Length | 12-3/4" |
| Overall Width | 7-1/4" |
| Threaded Clamp Bolt | 1/2-13 |
| Opening Width for Fork Tine | 4-5/8" |
| Opening Height for Fork Tine | 1-9/16" |
| Weight | 11 LBS |

800.445.8244 TOPDOGATTACHMENTS.COM
 CJ,INC. 909 CORMORANT AVE DETROIT LAKES, MN. 56501



HITCH RECEIVER



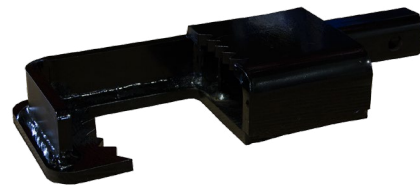
HITCH RECEIVER SPECIFICATIONS

| | |
|--------------------|--|
| Part # | 9233015 |
| Description | RECEIVER PLATE |
| Overall Height | 18" |
| Overall Width | 45.75" |
| Overall Depth | 14" |
| Approximate Weight | 105 lbs |
| Mounting Plate | 5/16" A-36 Steel |
| Gusset | 1/4" A-36 Steel |
| Top Bar | 3/8" A-36 Steel |
| Tube | 2-1/2" Seamless tube Accepts a 2" Receiver Tube Max. 1000 lb lift capacity |

TREE PULLER ATTACHMENT

| | |
|-------------|-------------|
| Part # | 9233161-54 |
| Description | Tree puller |
| Weight | 24 lbs |

Skid Steer use only





CALF CATCHER CORRAL



The calf catching corral attachment rounds up newborn calves, separating calf from cow & cow from you. So you can work with out unwelcome interruptions. You separate the two by simply raising the skid steer corral attachment over the calf and then lowering the corral back to the ground so as to catch the calf inside the corral. The corral comes with an separate inner area designed to hold a calf while working with or during transport. Measuring 60 inches high, 75 inches wide and 75 inches deep, this portable corral gives you plenty of room to catch and work with a calf. Like our other skid steer attachments the calf corral has a universal plate for quick attachment to many models of skid loaders. Corral panels unbolt for easier shipping or storage. Enter the corral as you exit your skid-steer loader.

SPECIFICATIONS

| | | |
|-----------------------|---------------------------|--|
| Part # | 9000195 | |
| Description | CALF CATCHER CORRAL | |
| Width | 75" | |
| Height | 60" | |
| Length | 75 | |
| Weight | 415 | |
| Spacing Between Tubes | 10" | |
| Corner Angle | 1 1/2" x 2 1/2" | |
| Railing Tube | 1" x 1" Square Steel Tube | |



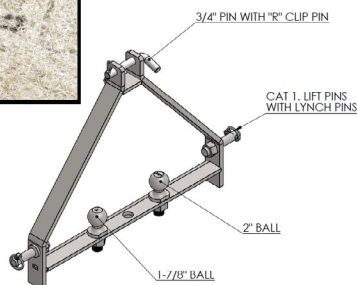
3 POINT

3 Point Trailer Hitch

MODEL # 9044001



Fits CAT 1 Hitches

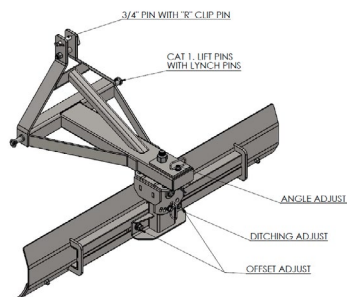


SPECIFICATIONS

| | |
|-----------------|----------------|
| Overall Width | 31" |
| Overall Height | 21" |
| Overall Depth | 2 1/2" |
| Material | Grade 50 Steel |
| Towing Capacity | 8000 lbs |
| Weight | 34 lbs |

Pulling weight varies depending on size of tractor

Model # 9044005



SPECIFICATIONS

| | |
|----------------------------|--------------------------|
| Width | 72" |
| Overall Height | 38" |
| Overall Depth | 35" |
| Material | Grade 50 Steel |
| Moldboard Size & Thickness | 72" x 13" 1/4" A36 Steel |
| 1/2" x 6" Scraper Blade | 40 lbs |
| Recommended HP | 25-40 |
| Weight | 284 lbs |



REPLACEMENT PARTS



Manure Tine
9000261



Fork Tine
80489



6MJ-6MB 90



Male Couplers
800801007



Female Couplers
800801006



6MJT BH



Welded Cross Tube
Cylinders

1.5 X 4 - 288300
1.5 X 6 - 288301
1.5 X 8 - 288-302
2x8 - #288-309



Ribbed Bale Spear
49667



6MJ-6FJ R



Tie Rod
Cylinders 2x8
321329



Asphalt Conveyor Belt
05579598



Duroclet Conveyor Belt
00971455

About Us

Top Dog is a manufacturer of over 50+ American Made Attachments based in Detroit Lakes, Minnesota. In 2012, Top Dog was established by its parent company CJ Inc., formally known as CJJ Inc., who first started manufacturing in 1983. We are a family owned company that is led by Darren Bremseth, who has been in the manufacturing business for over 25 years. At Top Dog one of our top priorities is customer service, we aim to provide our customers with an exceptional experience they won't forget.



800.445.8244 TOPDOGATTACHMENTS.COM
CJ,INC. 909 CORMORANT AVE DETROIT LAKES, MN. 56501

TOPDOG ATTACHMENTS



800.445.8244

TOPDOGATTACHMENTS.COM

CJ, INC. 909 CORMORANT AVE DETROIT LAKES, MN. 56501